

STRAIN INSULATORS (ANSI Standard Type)

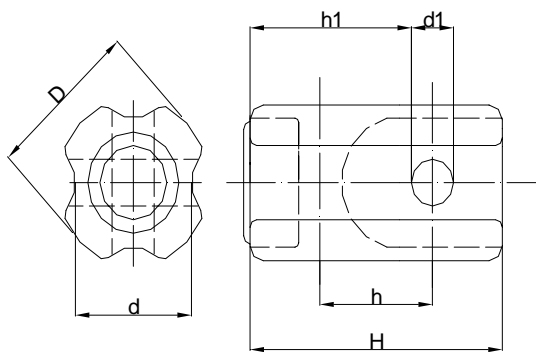


Fig 1

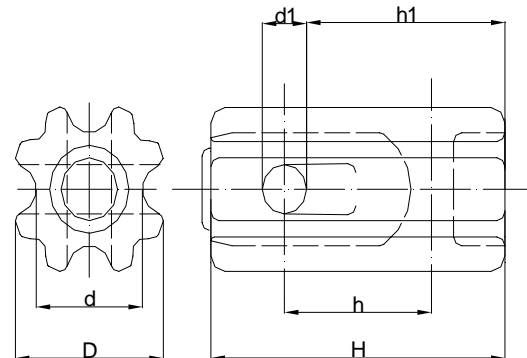


Fig 2

STANDARD PARTICULARS

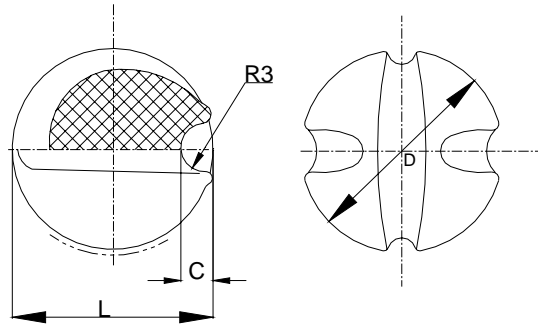
Fig. No.	1			2
ANSI Class	54-1	54-2	54-3	54-4
Nominal System Voltage/KV	2.2	4.4	6.6	6.6
Main Dimensions/in	H	3-1/2	4-1/4	5-1/2
	h	1-3/4	2-1/4	3-1/8
	h1	2-1/2Max	3 Max	4-1/16
	D	5/8	2-7/8	3-3/8
	d	1-3/4	2-1/8	2-3/8
	d1	2-1/2	7/8	1
Tension Strength/lb(KN)	10,000(44)	12,000(53)	20,000(89)	20,000(89)
Average Flashover Voltage/KV	Low-frequency(Dry)	25	30	35
	Low-frequency(Wet)	12	15	18
Leakage Distance/in(mm)	1-5/8(41)	1-7/8(48)	2-1/4(57)	3(76)
Net Weight/lb(kg)	0.76(0.35)	1.5(0.68)	2.9(1.3)	4.1(1.9)

Note: In tension test, two loops of suitable wire ropes are used and glaze chips or partial porcelain cracks should be allowed.

Standard Specification: ANSI C29.4

HIGH VOLTAGE EGG TYPE STRAIN INSULATOR

(ANSI Standard Type)



STANDARD PARTICULARS

Cat. No.		DJ-1	DJ-2	DJ-3	DJ-4	DJ-5	DJ-6	DJ-7
Dimensions-mm	D	62	79	98	116	144	168	184
	L	65	81	104	122	150	174	194
	C	11	14	17	20	28	34	38
	R	7	9	10	12	16	21	24
Testing Voltage-KV		5	5	5	10	15	15	20
Transverse strength-kg		3000	4500	6500	9000	13000	24000	30000
Weight (approx)-kg		0.25	0.25	1.05	1.70	3.30	4.70	6.50

Brown glazed.

STRAIN INSULATORS (AS Standard Type)

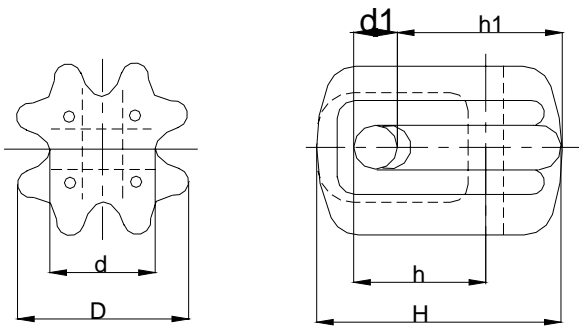


Fig 1

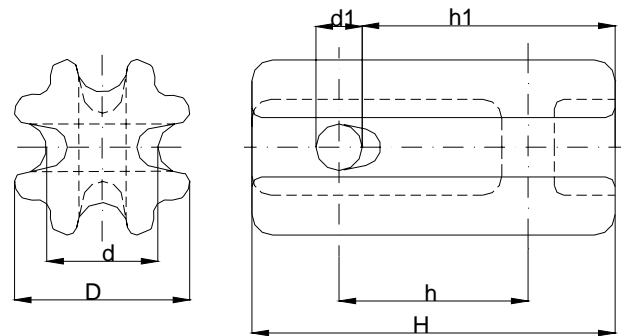


Fig2

STANDARD PARTICULARS

Fig. No.		1	2	2	2
Class		GY1	GY2	GY3	GY4
Dimensions, mm	H	90	146	216	280
	h	48	73	89	89
	h1	60	99	133	165
	D	68	73	115	115
	d	40	44	67	67
	d1	16	22	38	38
Power Frequency Withstand Voltage (Wet),KV		10	15	20	30
Tension Failing Load, KN		27	71	222	222
Net Weight, Each, Approx., kg		0.6	1.1	4.3	5.7

Standard Specification: AS 3609