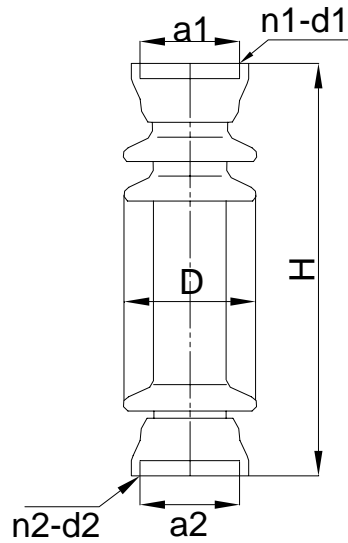


PORCELAIN STATION POST INSULATORS (IEC Standard Type)



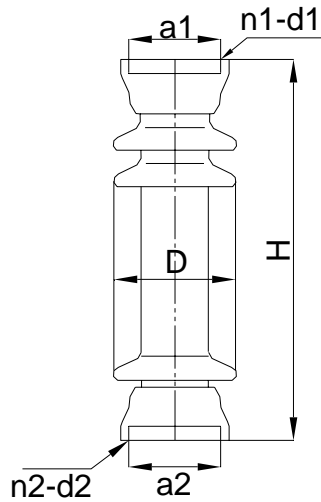
MAIN PARTICULARS

IEC Class	Nominal Voltage (KV)	Cantilever Strength (KN)	Torsion Strength KN.m	Creepage Distance mm	Impulse Withstand Voltage (KV)	Power Freq. Dry Withstand Voltage (KV)	Power Freq. Wet Withstand Voltage (KV)	Weight kg
C ₄ -75	10	4	-	230	75	40	28	6
C ₁₀ -15w	20	10	-	590	150	75	50	18
C ₈ -150	20	8	-	400	150	75	50	14.5
C ₁₆ -15w	20	16	-	550	150	75	50	20
C ₃₀ -15w	20	30	-	590	150	75	50	32
C ₃₀ -170	20	30	-	590	170	100	70	32.6
C ₆ -170	35	6	3	648	170	100	70	17
C ₈ -170	35	8	2	625	170	100	70	16
C ₄ -170	35	4	1.2	648	170	100	70	12

MAIN DIMENSIONS

High H	Max Dia	Dry Arcing Distance mm	Shed Number	Top PCD n ₁ -d ₁ -a ₁	Low PCD n ₂ -d ₂ -a ₂
220	140	125	2	2-M8-36	4-M10-Φ55
210	140	123	2	2-M8-36	2-Φ12-Φ130
350	180	224	4	4-M12-Φ140	4-Φ18-Φ210
350	165	217	4	2-M12-76(M16)	4-Φ14-Φ180
350	190	218	5	4-M12-Φ140	4-Φ18-Φ210
450	205	222	5	4-M12-Φ140	4-Φ18-Φ250
450	205	272	5	4-M12-Φ140	4-Φ18-Φ225
420	165	308	7	4-M12-Φ140	4-M12-Φ140
420	165	306	6	4-M12-Φ140	4-Φ14-Φ210
420	150	300	7	4-Φ14-Φ140	4-Φ14-Φ140

PORCELAIN STATION POST INSULATORS (IEC Standard Type)



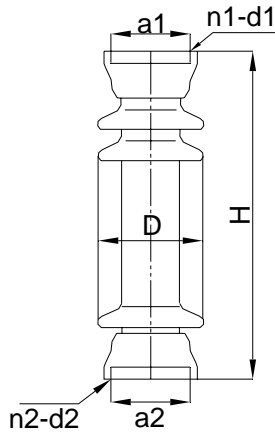
MAIN PARTICULARS

IEC Class	Nominal Voltage (KV)	Cantilever Strength (KN)	Torsion Strength KN.m	Creepage Distance mm	Impulse Withstand Voltage (KV)	Power Freq. Dry Withstand Voltage (KV)	Power Freq. Wet Withstand Voltage (KV)	Weight kg
C ₄ -170w	35	4	1.2	875	170	100	70	13
C ₄ -250w	35	4	1.8	1260	250	135	90	27
C ₆ -250	63	6	2	1160	250	135	90	38
C ₄ -325	63	4	2	1104	325	175	140	29
C _{12.5} -325	63	12.5	2	1104	325	175	140	61
C ₄ -325w	63	4	4	2010	325	175	140	50
C ₈ -325w	63	8	4	1308	325	175	140	55
C ₄ -170w	35	4	4	875	170	100	70	14
C ₄ -170w	35	4	4	875	170	100	70	13.5
C ₁₀ -25w	35	10	4	1260	250	135	90	31.4

MAIN DIMENSIONS

High H	Max Dia	Dry Arcing Distance mm	Shed Number	Top PCD n ₁ -d ₁ -a ₁	Low PCD n ₂ -d ₂ -a ₂
445	150	345	10	4-Φ14-Φ140	4-Φ14-Φ140
560	235	405		4-M16-Φ127	4-Φ14-Φ180
710	180	565	11	4-M12-Φ140	4-Φ18-Φ225
760	170	627	10	4-M12-Φ140	4-Φ14-Φ180
840	230	628	9	4-M18-Φ210	8-Φ18-Φ250
850	235	705	15	4-M12-Φ140	4-Φ18-Φ225
850	235	705	12	4-M12-Φ140	4-Φ18-Φ225
445	150	350	10	4-M12-Φ140	4-Φ14-Φ180
445	150	351	10	4-M12-Φ140	4-M12-Φ140
560	245	405		4-M16-Φ127	4-Φ14-Φ180

PORCELAIN STATION POST INSULATORS (IEC Standard Type)



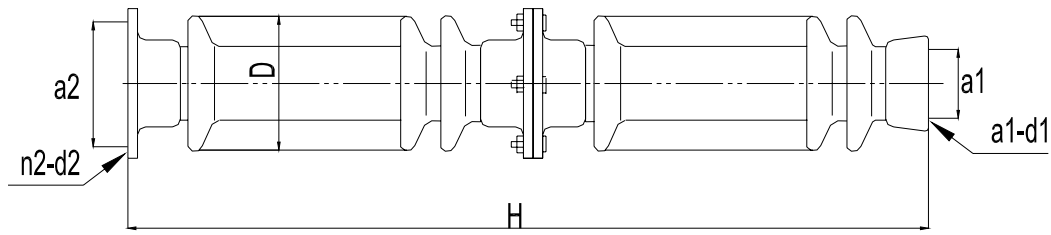
MAIN PARTICULARS

IEC Class	Nominal Voltage (KV)	Cantilever Strength (KN)	Torsion Strength KN.m	Creepage Distance mm	Impulse Withstand Voltage (KV)	Power Freq Dry Withstand Voltage (KV)	Power Freq Wet Withstand Voltage (KV)	Weight kg
C ₄ -550	110	4	4	2016	550	300	230	52
C ₈ -550w	110	8	4	2830	550	300	230	87
C ₈ -550w	110	8	4	2830	550	300	230	85
C ₄ -550w	110	4	4	3025	550	300	230	70
C ₆ -450	110	6	6	2016	450	262	185	47
C ₆ -550w	110	6	6	3050	550	300	230	76
C ₆ -550w	110	6	10	3150	550	280	230	77
C ₁₀ -45w	110	10	10	3150	450	245	185	87
C ₂₀ -45w	110	20	10	3200	450	245	185	102
C ₄ -450	110	4	4	2016	450	245	185	44
C ₄ -650w	110	4	4	3906	650	375	275	72

MAIN DIMENSIONS

High H	Max Dia	Dry Arcing Distance mm	Top PCD n ₁ -d ₁ -a ₁	Low PCD n ₂ -d ₂ -a ₂
1200	170	1055	4-M12-Φ 140	4-Φ 18-Φ 225
1200	250	1008	4-Φ 18-Φ 225	4-Φ 18-Φ 250
1200	250	1008	4-Φ 18-Φ 250	4-Φ 18-Φ 225
1200	245	1050	4-Φ 14-Φ 190	4-Φ 18-Φ 225
1060	195	917	4-M12-Φ 140	8-Φ 18-Φ 225
1200	245	1038	4-M12-Φ 140	4-Φ 18-Φ 225
1200	250	1023	4-M12-Φ 140	4-Φ 18-Φ 225
1150	260	978	4-Φ 18-Φ 225	8-Φ 18-Φ 254
1150	285	953	8-Φ 18-Φ 254	8-Φ 18-Φ 254
1060	195	917	4-M12-Φ 140	4-Φ 18-Φ 225
1400	255	1240	4-M12-Φ 140	4-Φ 18-Φ 225

PORCELAIN STATION POST INSULATORS (IEC Standard Type)



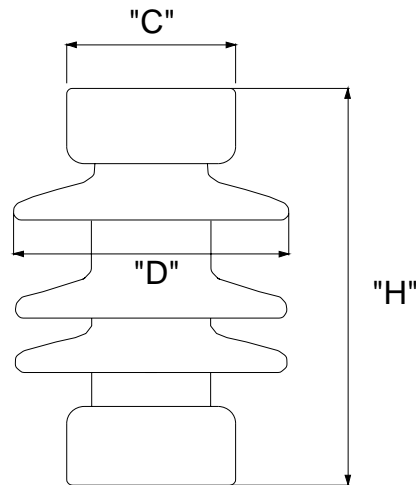
MAIN PARTICULARS

IEC Class	Nominal Voltage (KV)	Cantilever Strength (KN)	Torsion Strength KN.m	Creepage Distance mm	Impulse Withstand Voltage (KV)	Wet Switching Impulse Flashover Voltage (KV)	Power Freq Dry Withstand Voltage (KV)	Power Freq Wet Withstand Voltage (KV)	Weight kg
C ₈ -850w	230	6	6	6300	1050	850	525	460	164
C ₁₀ -850w	230	10	10	6300	1050	850	525	460	190
C ₈ -950w	230	8	8	7812	1175	950	525	510	227
C ₁₀ -950w	230	10	8	7812	1175	950	525	510	253
C ₁₆ -850w	230	16	10	6300	1050	850	525	460	224
C _{12.5} -85w	230	12.5	10	6300	1050	850	525	460	224
C ₁₀ -850w	230	10	10	6300	1050	850	525	460	201.3
C ₈ -850w	230	8	10	6300	1050	850	525	460	209
C ₄ -750w	230	4	4	3776	950	750	490	395	114
C ₄ -850w	230	4	4	5500	1050	850	525	460	146

MAIN DIMENSIONS

High H	Max Dia	Dry Arcing Distance mm	Top PCD n ₁ -d ₁ -a ₁	Low PCD n ₂ -d ₂ -a ₂
2350	260	2001	4-M12-Φ 140	8-Φ 18-Φ 254
2300	285	1931	4-Φ 18-Φ 225	8-Φ 18-Φ 254
2650	285	2279	4-Φ 18-Φ 225	8-Φ 18-Φ 254
2650	310	2251	4-Φ 18-Φ 225	8-Φ 18-Φ 300
2300	310	1878	8-Φ 18-Φ 254	8-Φ 18-Φ 300
2300	310	1888	4-Φ 18-Φ 225	8-Φ 18-Φ 275
2400	290	2019	4-Φ 18-Φ 225	8-Φ 18-Φ 254
2300	295	1913	4-Φ 18-Φ 225	8-Φ 18-Φ 254
2120	230	1977	4-M12-Φ 140	4-Φ 18-Φ 250
2300	245	1973	4-M12-Φ 140	8-Φ 18-Φ 270

PORCELAIN STATION POST INSULATORS (ANSI Standard Type)



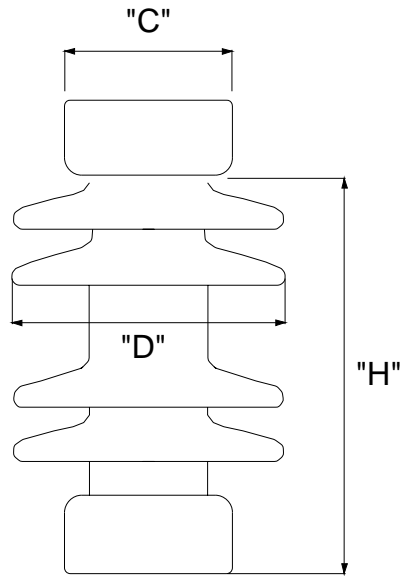
CHARACTERISTICS

Cat. No.		0701095-01	0701095-02	0701095-03
ANSI Class		202	222	-
Basic Impulse Insulation Level (KV)		95	95	95
Usual Line Voltage (KV)		7.5	7.5	7.5
Leakage distance/in (mm)		10-1/2(267)	10-1/2(267)	10-1/2(267)
Cantilever Strength/Ib (KN)		2000(8.9)	4000(17.8)	8000(35.6)
Tensile Strength/Ib (KN)		7000(31.1)	15000(66.7)	28000(124.5)
Torsional Strength/in-Ib (N.m)		6000 (678)	12000(1356)	40000(4520)
Compression Strength /Ib (KN)		10000(44.5)	20000(89)	40000(177.9)
Critical Impulse Flashover Voltage, Positive (KV)		105	105	105
Withstand Voltage	Low Frequency, Wet/KV	30	30	30
	Impulse/KV	95	95	95
Radio-Influence Voltage Data	Test Voltage to Ground/kV	5	5	5
	Maximum RIV at 1000 KHZ/ μ V	50	50	50
Height-"H"/in(mm)		7-1/2(190)	10(254)	10(254)
Shed diameter/in(mm)		6-1/2(165)	5-15/16(151)	7-1/4(184)
Bolt circle diameter/in(mm)		3	5	5
(4)Tapped holes, size/in		1/2-13	5/8-11	5/8-11
Cap diameter-"C"/in (mm)		4-1/4(108)	6-1/4(159)	6-1/4(159)
Net Weight/Ib (kg)		15(6.7)	22(9.8)	33(14.7)

Notes: 1. These units are not furnished with mounting bolts. State size at the time of inquiry if mounting bolts are required.

2. Light gray, chocolate brown or semi-conducting glaze is available.

PORCELAIN STATION POST INSULATORS (ANSI Standard Type)



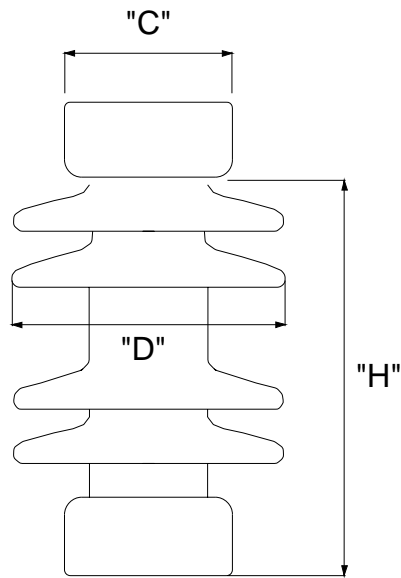
CHARACTERISTICS

Cat. No.		0701110-01	0701110-02	0701110-03
ANSI Class		205	225	-
Basic Impulse Insulation Level (KV)		110	110	110
Usual Line Voltage (KV)		15	15	15
Leakage distance/in (mm)		15-1/2(394)	15-1/2(394)	15-1/2(394)
Cantilever Strength/Ib (KN)		2000(8.9)	4000(17.8)	8000(35.6)
Tensile Strength/Ib (KN)		8500(37.8)	20000(89)	28000(124.5)
Torsional Strength/in-Ib (N.m)		7000 (791)	14000(1582)	40000(4520)
Compression Strength /Ib (KN)		10000(44.5)	20000(89)	40000(177.9)
Critical Impulse Flashover Voltage, Positive (KV)		125	125	125
Withstand Voltage	Low Frequency, Wet/KV	45	45	45
	Impulse/KV	110	110	110
Radio-Influence Voltage Data	Test Voltage to Ground/kV	10	10	10
	Maximum RIV at 1000 KHZ/ μ V	50	50	50
Height-"H"/in (mm)		10(254)	12(305)	12(305)
Shed diameter/in (mm)		6-1/2(165)	8(203)	7-11/16(195)
Bolt circle diameter/in (mm)		3(76)	5(127)	5(127)
(4)Tapped holes, size/in		1/2-13	5/8-11	5/8-11
Cap diameter-"C"/in (mm)		4-1/4(108)	6-1/4(159)	6-1/4(159)
Net Weight/Ib (kg)		21(9.3)	43(19.1)	40(17.8)

Notes: 1. These units are not furnished with mounting bolts. State size at the time of inquiry if mounting bolts are required.

2. Light gray, chocolate brown or semi-conducting glaze is available.

PORCELAIN STATION POST INSULATORS (ANSI Standard Type)



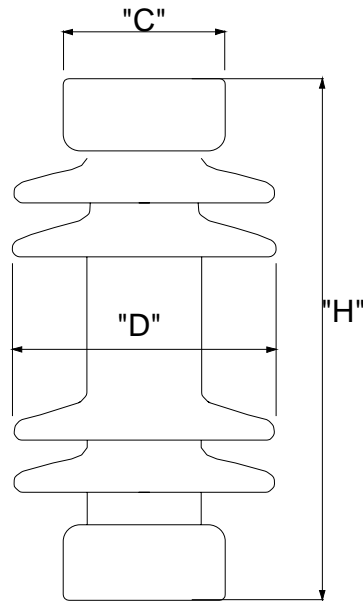
CHARACTERISTICS

Cat. No.		0701150-01	0701150-02	0701150-03
ANSI Class		208	227	-
Basic Impulse Insulation Level (KV)		150	150	150
Usual Line Voltage (KV)		23	23	23
Leakage distance/in (mm)		24(610)	24(610)	24(610)
Cantilever Strength/Ib (KN)		2000(8.9)	4000(17.8)	8000(35.6)
Tensile Strength/Ib (KN)		10000(44.5)	20000(89)	28000(124.5)
Torsional Strength/in-Ib (N.m)		8000 (35.6)	16000(71.1)	40000(177.9)
Compression Strength /Ib (KN)		10000(44.5)	20000(89)	40000(177.9)
Critical Impulse Flashover Voltage, Positive (KV)		170	170	170
Withstand Voltage	Low Frequency, Wet/KV	60	60	60
	Impulse/KV	150	150	150
Radio-Influence Voltage Data	Test Voltage to ground/kV	15	15	15
	Maximum RIV at 1000 KHZ/ μ V	100	100	100
Height-"H"/in (mm)		14(356)	15(381)	15(381)
Shed diameter/in (mm)		6-1/2(165)	9(229)	8-1/4(216)
Bolt circle diameter/in (mm)		3(76)	5(127)	5(127)
(4)Tapped holes, size/in		1/2-13	5/8-11	5/8-11
Cap diameter-"C"/in (mm)		4-1/4(108)	6-1/4(159)	6-1/4(159)
Net Weight/Ib (kg)		26(11.6)	58(25.8)	54(24.0)

Notes: 1. These units are not furnished with mounting bolts. State size at the time of inquiry if mounting bolts are required.

2. Light gray, chocolate brown or semi-conducting glaze is available.

PORCELAIN STATION POST INSULATORS (ANSI Standard Type)



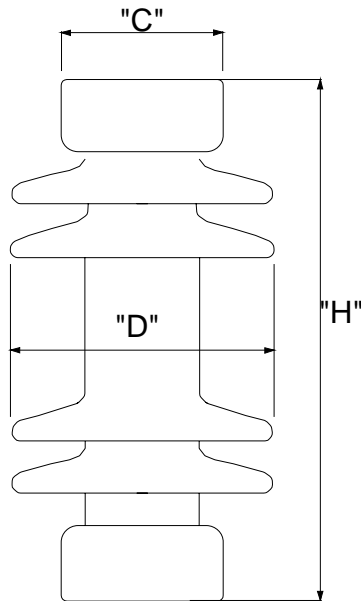
CHARACTERISTICS

Cat. No.		0701200-01	0701200-02	0701200-03
ANSI Class		210	231	-
Basic Impulse Insulation Level(KV)		200	200	200
Usual Line Voltage(KV)		34.5	34.5	34.5
Leakage distance/in(mm)		37(940)	37(940)	37(940)
Cantilever Strength/Ib (KN)		2000(8.9)	4000(17.8)	8000(35.6)
Tensile Strength/Ib (KN)		12000(53.4)	25000(111.2)	28000(124.5)
Torsional Strength/in-Ib (N.m)		10000 (44.5)	20000(89)	40000(177.9)
Compression Strength /Ib (KN)		15000(66.7)	30000(133.4)	60000(266.9)
Critical Impulse Flashover Voltage, Positive (KV)		225	225	225
Withstand Voltage	Low Frequency, Wet/KV	80	80	80
	Impulse/KV	200	200	200
Radio-Influence Voltage Data	Test Voltage to ground/kV	22	22	22
	Maximum RIV at 1000 KHZ/ μ V	100	100	100
Height-"H"/in (mm)		18(457)	20(508)	20(508)
Shed diameter/in (mm)		6-7/16(164)	9(229)	8-7/8(225)
Bolt circle diameter/in (mm)		3(76)	5(127)	5(127)
(4)Tapped holes, size/in		1/2-13	5/8-11	5/8-11
Cap diameter-"C"/in (mm)		4-1/4(108)	6-1/4(159)	6-1/4(159)
Net Weight/Ib (kg)		32(14.2)	75(33.4)	80(35.6)

Notes: 1. These units are not furnished with mounting bolts. State size at the time of inquiry if mounting bolts are required.

2. Light gray, chocolate brown or semi-conducting glaze is available.

PORCELAIN STATION POST INSULATORS (ANSI Standard Type)



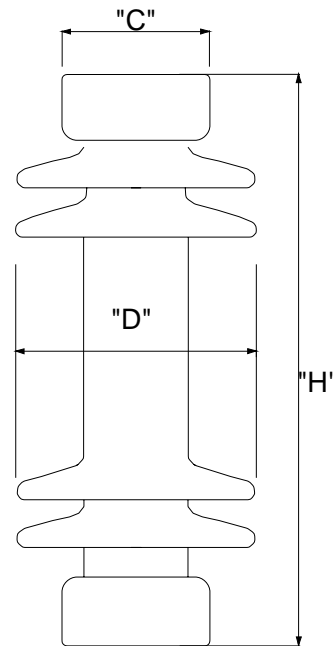
CHARACTERISTICS

Cat. No.		0701250-01	0701250-02	0701250-03
ANSI Class		214	267	-
Basic Impulse Insulation Level (KV)		250	250	250
Usual Line Voltage (KV)		46	46	46
Leakage distance/in (mm)		43(1092)	43(1092)	43(1092)
Cantilever Strength/Ib (KN)		2000(8.9)	4000(17.8)	7000(31.1)
Tensile Strength/Ib (KN)		14000(62.3)	25000(111.2)	28000(124.5)
Torsional Strength/in-Ib (N.m)		12000 (53.4)	20000(89)	40000(177.9)
Compression Strength /Ib (KN)		15000(66.7)	60000(266.9)	60000(266.9)
Critical Impulse Flashover Voltage, Positive (KV)		280	280	280
Withstand Voltage	Low Frequency, Wet/KV	100	100	100
	Impulse/KV	250	250	250
Radio-Influence Voltage Data	Test Voltage to ground/kV	30	30	30
	Maximum RIV at 1000 KHZ/ μ V	200	200	200
Height-"H"/in (mm)		22(559)	24(610)	24(610)
Shed diameter/in (mm)		7-1/4(184)	9(229)	8-7/8(225)
Bolt circle diameter/in (mm)		3(76)	5(127)	5(127)
(4)Tapped holes, size/in		1/2-13	5/8-11	5/8-11
Cap diameter-"C"/in (mm)		4-1/4(108)	6-1/4(159)	6-1/4(159)
Net Weight/Ib (kg)		41(18.2)	85(37.8)	87(38.7)

Notes: 1. These units are not furnished with mounting bolts. State size at the time of inquiry if mounting bolts are required.

2. Light gray, chocolate brown or semi-conducting glaze is available.

PORCELAIN STATION POST INSULATORS (ANSI Standard Type)



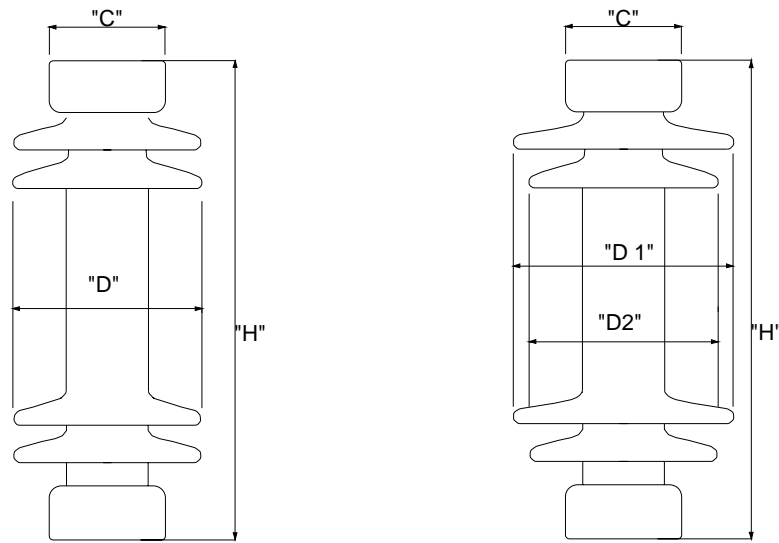
CHARACTERISTICS

Cat. No.		0701350-01	0701350-02	0701350-03
ANSI Class		216	278	-
Basic Impulse Insulation Level (KV)		350	350	350
Usual Line Voltage (KV)		69	69	69
Leakage distance/in (mm)		72(1829)	72(1829)	72(1829)
Cantilever Strength/Ib (KN)		1500(6.7)	3000(13.3)	5000(22.2)
Tensile Strength/Ib (KN)		16000(71.2)	25000(111.2)	28000(124.5)
Torsional Strength/in-Ib (N.m)		15000 (66.7)	40000(177.9)	40000(177.9)
Compression Strength /Ib (KN)		25000(111.2)	60000(266.9)	60000(266.9)
Critical Impulse Flashover Voltage, Positive (KV)		390	390	390
Withstand Voltage	Low Frequency, Wet/KV	145	145	145
	Impulse/KV	350	350	350
Radio-Influence Voltage Data	Test Voltage to ground/kV	44	44	44
	Maximum RIV at 1000 KHZ/μV	200	200	200
Height-“H”/in (mm)		30(762)	30(762)	32(813)
Shed diameter/in (mm)		7-3/4(197)	9-3/4(248)	12-7/8(327)
Bolt circle diameter/in (mm)		3(76)	5(127)	5(127)
(4)Tapped holes, size/in		1/2-13	5/8-11	5/8-11
Cap diameter-“C”/in (mm)		4-1/4(108)	6-1/4(159)	6-1/4(159)
Net Weight/Ib (kg)		74(32.9)	110(48.9)	204(92.6)

Notes: 1. These units are not furnished with mounting bolts. State size at the time of inquiry if mounting bolts are required.

2. Light gray, chocolate brown or semi-conducting glaze is available.

PORCELAIN STATION POST INSULATORS (ANSI Standard Type)



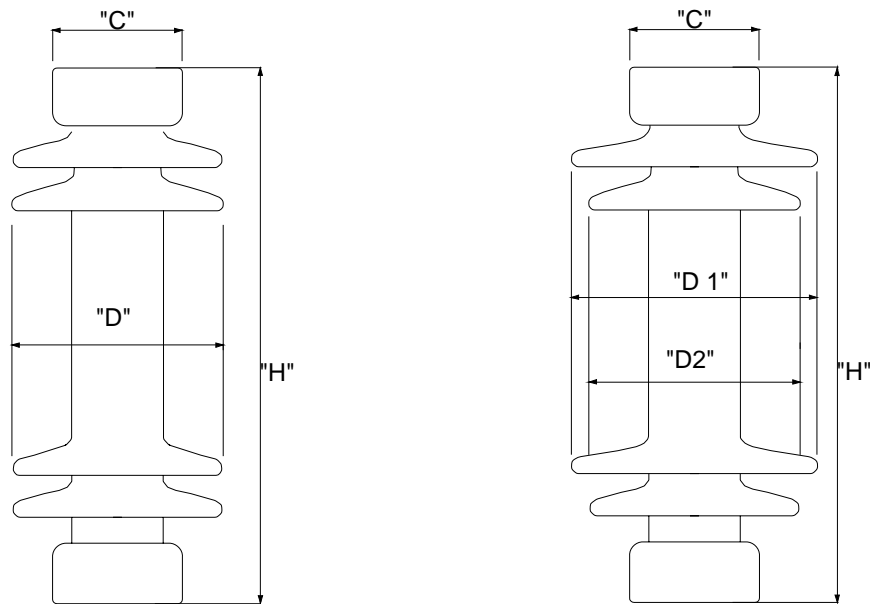
CHARACTERISTICS

Cat. No.		0701550-01	0701550-02	0701550-03
ANSI Class		286	287	-
Basic Impulse Insulation Level (KV)		550	550	550
Usual Line Voltage (KV)		115	115	115
Leakage distance/in (mm)		99(2515)	99(2515)	125(3175)
Cantilever Strength/Ib (KN)		1700(7.6)	2600(11.6)	1700(7.6)
Tensile Strength/Ib (KN)		20000(89)	25000(111.2)	20000(89)
Torsional Strength/in-Ib (N.m)		40000 (177.9)	90000(400.3)	40000(177.9)
Compression Strength /Ib (KN)		60000(266.9)	75000(333.6)	60000(266.9)
Critical Impulse Flashover Voltage, Positive (KV)		610	610	610
Withstand Voltage	Low Frequency, Wet/KV	230	230	230
	Impulse/KV	550	550	550
Radio-Influence Voltage Data	Test Voltage to ground/kV	73	73	73
	Maximum RIV at 1000 KHZ/ μ V	200	200	200
Height-"H"/in (mm)		45(1143)	45(1143)	45(1143)
Shed diameter/in (mm)		8-3/4(222)	8-7/8(225)	D1=9-1/4(235) D2=7-11/16(195)
Bolt circle diameter/in (mm)		5(127)	5(127)	5(127)
(4)Tapped holes, size/in		5/8-11	5/8-11	5/8-11
Cap diameter-"C"/in (mm)		6-1/4(159)	6-1/4(159)	6-1/4(159)
Net Weight/Ib (kg)		142(63.2)	165(73.4)	154(68.5)

Notes: 1. These units are not furnished with mounting bolts. State size at the time of inquiry if mounting bolts are required.

2. Light gray, chocolate brown or semi-conducting glaze is available.

PORCELAIN STATION POST INSULATORS (ANSI Standard Type)



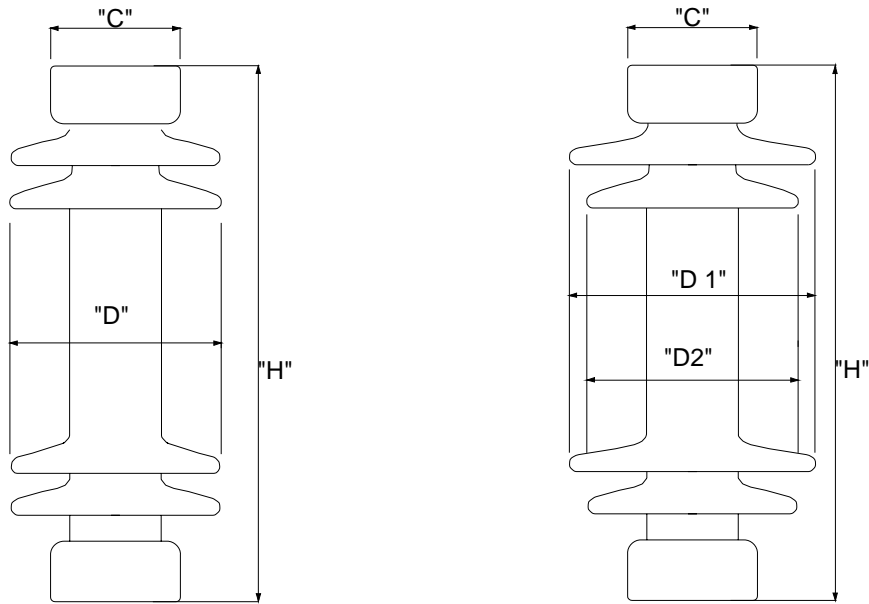
CHARACTERISTICS

Cat. No.		0701650-01	0701650-02	0701650-03
ANSI Class		288	289	-
Basic Impulse Insulation Level (KV)		650	650	650
Usual Line Voltage (KV)		116	116	116
Leakage distance/in (mm)		116(2946)	116(2946)	155(3937)
Cantilever Strength/Ib (KN)		1450(6.4)	2200(9.8)	1450(6.4)
Tensile Strength/Ib (KN)		20000(89)	25000(111.2)	20000(89)
Torsional Strength/in-Ib (N.m)		60000 (266.9)	90000(400.3)	60000(266.9)
Compression Strength /Ib(KN)		60000(266.9)	75000(333.6)	60000(266.9)
Critical Impulse Flashover Voltage, Positive (KV)		710	710	710
Withstand Voltage	Low Frequency, Wet/KV	275	275	275
	Impulse/KV	650	650	650
Radio-Influence Voltage Data	Test Voltage to ground/kV	88	88	88
	Maximum RIV at 1000 KHZ/ μ V	200	200	200
Height-"H"/in (mm)		54(1372)	54(1372)	54(1372)
Shed diameter/in (mm)		8-13/16(224)	10(254)	D1=9-1/4(235) D2=7-11/16(195)
Bolt circle diameter/in (mm)		5(127)	5(127)	5(127)
(4)Tapped holes, size/in		5/8-11	5/8-11	5/8-11
Cap diameter-"C"/in (mm)		6-1/4(159)	6-1/4(159)	6-1/4(159)
Net Weight/Ib (kg)		160(71.2)	225(100)	170(75.6)

Notes: 1. These units are not furnished with mounting bolts. State size at the time of inquiry if mounting bolts are required.

2. Light gray, chocolate brown or semi-conducting glaze is available.

PORCELAIN STATION POST INSULATORS (ANSI Standard Type)



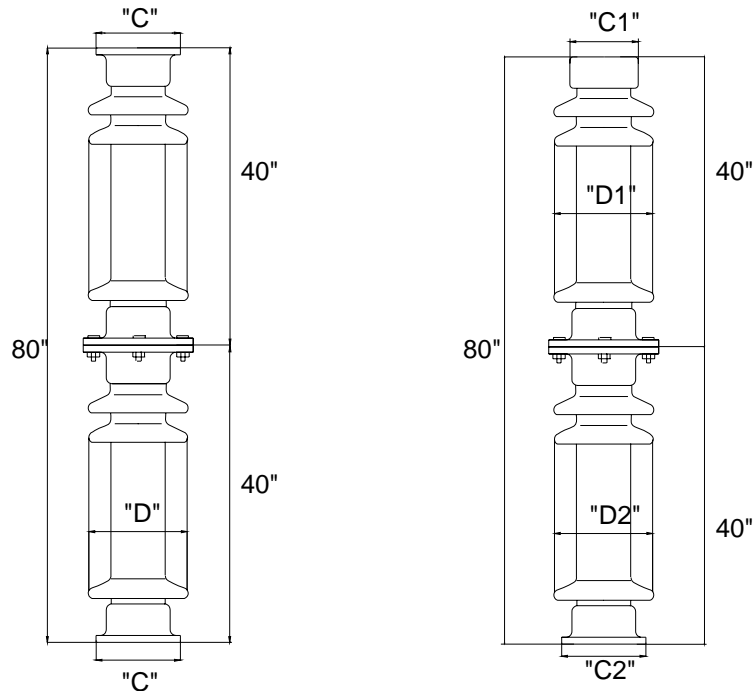
CHARACTERISTICS

Cat. No.		0701750-01	0701750-02	0701750-03
ANSI Class		291	295	-
Basic Impulse Insulation Level (KV)		750	750	750
Usual Line Voltage (KV)		161	161	161
Leakage distance/in (mm)		132(3353)	132(3353)	180(4572)
Cantilever Strength/Ib (KN)		1200(5.3)	1850(8.2)	1200(5.3)
Tensile Strength/Ib (KN)		20000(89)	25000(111.2)	20000(89)
Torsional Strength/in-Ib (N.m)		60000 (266.9)	90000(400.3)	60000(266.9)
Compression Strength /Ib (KN)		60000(266.9)	75000(333.6)	60000(266.9)
Critical Impulse Flashover Voltage, Positive (KV)		810	810	810
Withstand Voltage	Low Frequency, Wet/KV	315	315	315
	Impulse/KV	750	750	750
Radio-Influence Voltage Data	Test Voltage to ground/kV	103	103	103
	Maximum RIV at 1000 KHZ/ μ V	500	500	500
Height-"H"/in (mm)		62(1575)	62(1575)	62(1575)
Shed diameter/in (mm)		8-13/16(224)	10(254)	D1=9-1/4(235) D2=7-11/16(195)
Bolt circle diameter/in (mm)		5(127)	5(127)	5(127)
(4)Tapped holes, size/in		5/8-11	5/8-11	5/8-11
Cap diameter-"C"/in (mm)		6-1/4(159)	6-1/4(159)	6-1/4(159)
Net Weight/Ib (kg)		170(75.6)	235(104.5)	195(86.7)

Notes: 1. These units are not furnished with mounting bolts. State size at the time of inquiry if mounting bolts are required.

2. Light gray, chocolate brown or semi-conducting glaze is available.

PORCELAIN STATION POST INSULATORS (ANSI Standard Type)



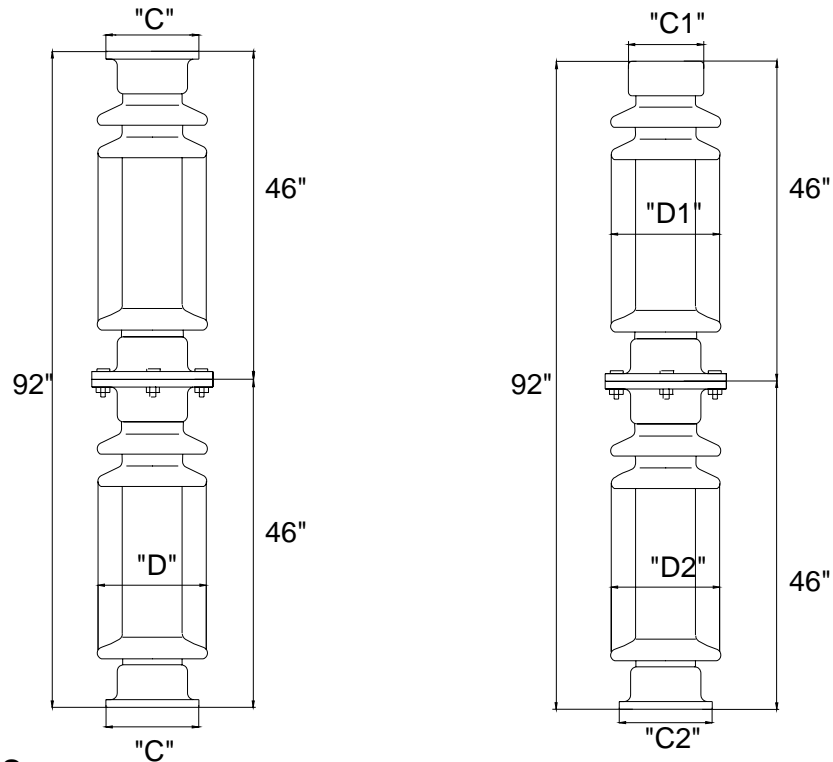
CHARACTERISTICS

Cat. No.	0701900-01	0701900-02	0701900-03
ANSI Class	304	308	308
Basic Impulse Insulation Level (KV)	900	900	900
Usual Line Voltage (KV)	230	230	230
Leakage distance/in (mm)	165(4191)	165(4191)	165(4191)
Cantilever Strength/Ib (KN)	950(4.2)	1450(6.4)	1450(6.4)
Tensile Strength/Ib (KN)	20000(89)	25000(111.2)	25000(111.2)
Torsional Strength/in-Ib (N.m)	60000 (266.9)	90000(400.3)	90000(400.3)
Compression Strength /Ib (KN)	60000(266.9)	90000(400.3)	75000(333.6)
Critical Impulse Flashover Voltage, Positive (KV)	1010	1010	1010
Withstand Voltage	Low Frequency, Wet/KV	385	385
	Impulse/KV	900	900
Radio-Influence Voltage Data	Test Voltage to ground/kV	146	146
	Maximum RIV at 1000 KHZ/ μ V	500	500
Shed diameter/in (mm)	9-1/2(241)	10-1/8(257)	D1=9-1/2(241) D2=10-1/8(257)
Bolt circle diameter/in (mm)	5(127)	5(127)	5(127)
(4)Tapped holes, size/in	5/8-11	5/8-11	5/8-11
Cap diameter-"C"/in (mm)	6-1/4(159)	6-1/4(159)	6-1/4(159)
Net Weight/Ib (kg)	310(137.9)	375(166.8)	268(121.6)

Notes: 1. These units are not furnished with mounting bolts. State size at the time of inquiry if mounting bolts are required.

2. Light gray, chocolate brown or semi-conducting glaze is available.

PORCELAIN STATION POST INSULATORS (ANSI Standard Type)



CHARACTERISTICS

Cat. No.		07011050-01	07011050-02	07011050-03
ANSI Class		312	316	362
Basic Impulse Insulation Level (KV)		1050	1050	1050
Usual Line Voltage (KV)		230	230	230
Leakage distance/in (mm)		198(5029)	198(5029)	198(5029)
Cantilever Strength/Ib (KN)		800(3.6)	1250(5.6)	2300(10.2)
Tensile Strength/Ib (KN)		20000(89)	25000(111.2)	40000(177.9)
Torsional Strength/in-Ib (N.m)		60000 (266.9)	90000(400.3)	20000(533.8)
Compression Strength /Ib (KN)		40000(177.9)	75000(333.6)	100000(444.8)
Critical Impulse Flashover Voltage, Positive (KV)		1210	1210	1210
Withstand Voltage	Low Frequency, Wet/KV	455	455	455
	Impulse/KV	1050	1050	1050
Radio-Influence Voltage Data	Test Voltage to ground/kV	146	146	146
	Maximum RIV at 1000 KHZ/ μ V	500	500	500
Shed diameter/in (mm)		9-7/8(251)	10-1/2(267)	10-7/8(276)
Bolt circle diameter/in (mm)		5(127)	5(127)	7(178)
(4)Tapped holes, size/in		5/8-11	5/8-11	3/4-11
Cap diameter-"C"/in (mm)		6-1/4(159)	6-1/4(159)	8-3/8(293)
Net Weight/Ib (kg)		265(117.9)	341(151.7)	424(188.6)

Notes: 1. These units are not furnished with mounting bolts. State size at the time of inquiry if mounting bolts are required.

2. Light gray, chocolate brown or semi-conducting glaze is available.